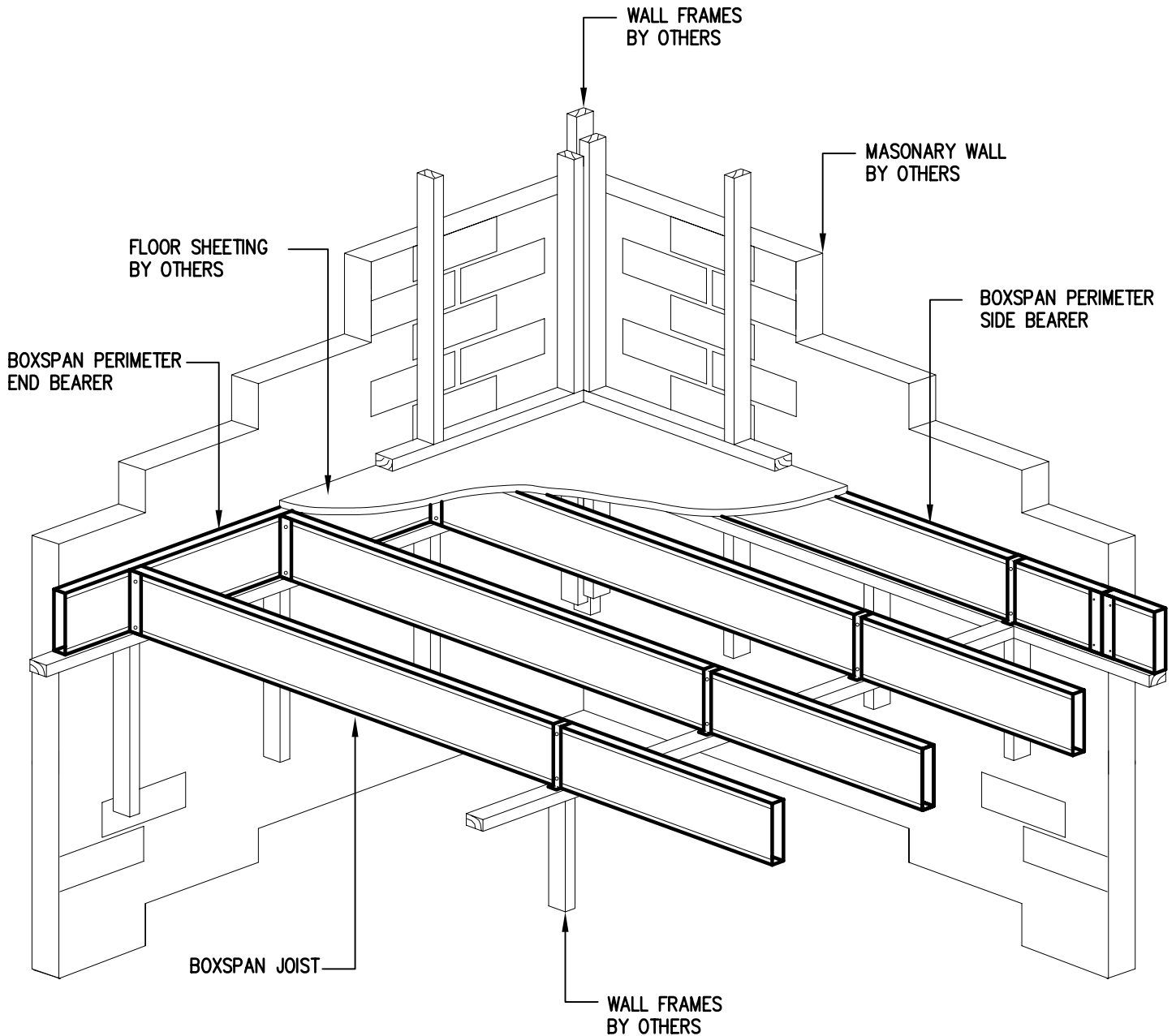


INSTALLATION GUIDES  
**UPPER FLOOR FRAME  
MONOPLANE SYSTEM**

# MONOPLANE FLOOR SYSTEM OVERVIEW

FOR RESIDENTIAL UPPER FLOOR APPLICATIONS  
(BRICK VENEER CONSTRUCTION)



**SPANTEC**

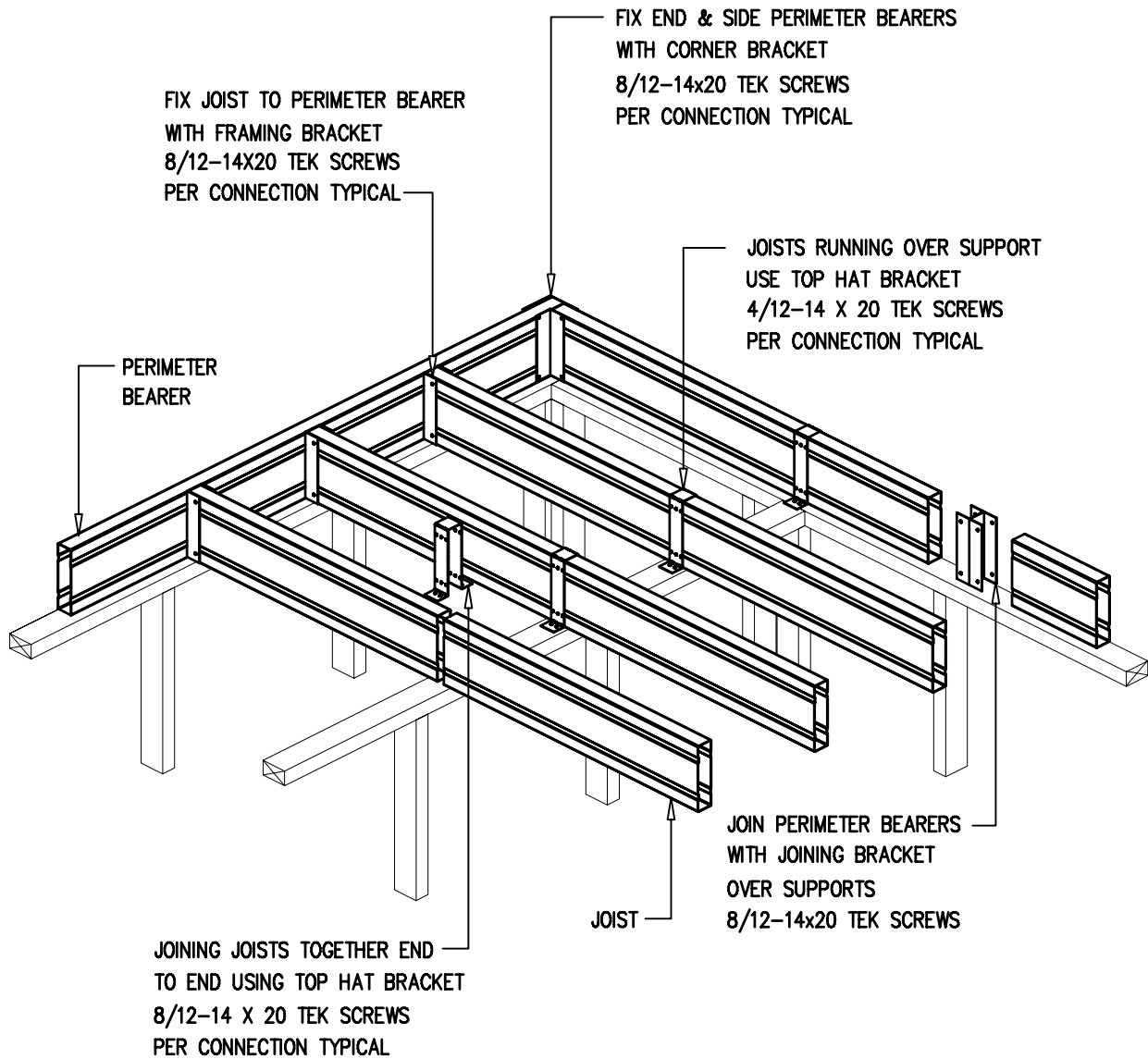
SPANTEC SYSTEMS PTY LTD.  
ABN 56 053 584 384

17 DRAPERS ROAD BRAEMAR, NSW, 2575  
P.O. BOX 81 MITTAGONG, NSW, 2575, AUSTRALIA  
PHONE: 02 4872 1611 FACSIMILE: 02 4872 1616  
[design@spantec.com.au](mailto:design@spantec.com.au)

DATE DRAWN	DWG FILE	REFERENCE
APRIL 2006	INSTALL_TITLE	MPFW02
SCALE	VIEW NAME	REVISION
NTS	OVERVIEW	A

# MONOPLANE FLOOR SYSTEM

## FLOOR MEMBER ARRANGEMENT



**SPANTEC**

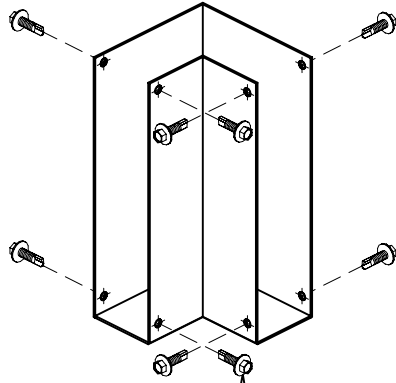
SPANTEC SYSTEMS PTY LTD.  
ABN 56 053 584 384

17 DRAPERS ROAD BRAEMAR, NSW, 2575  
P.O. BOX 81 MITTAGONG, NSW, 2575, AUSTRALIA  
PHONE: 02 4872 1611 FACSIMILE: 02 4872 1616  
design@spantec.com.au

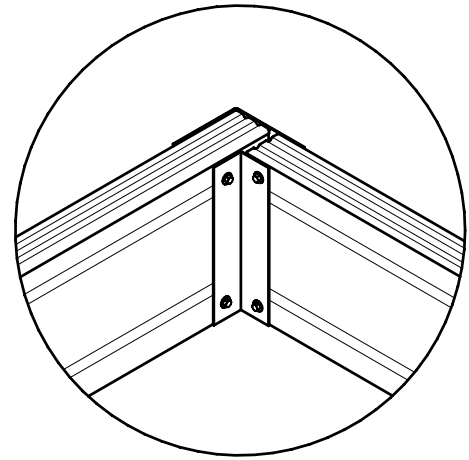
DATE DRAWN APRIL 2006	DWG FILE INSTALL_TITLE	REFERENCE <b>MPFW03</b>
SCALE NTS	VIEW NAME ARRANGEMENT	REVISION <b>A</b>

# CORNER BRACKET – 90° (CB)

FOR JOINING PERIMETER BEARERS AT 90° CORNERS.



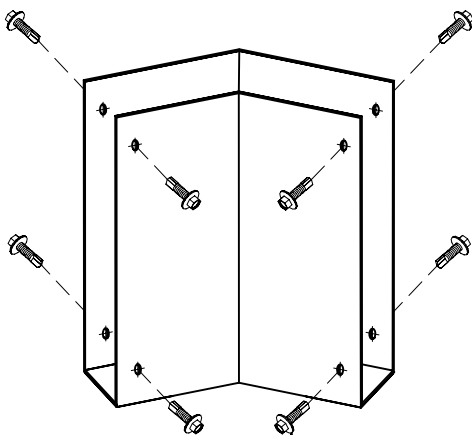
CB100  
CB150  
CB200  
CB250



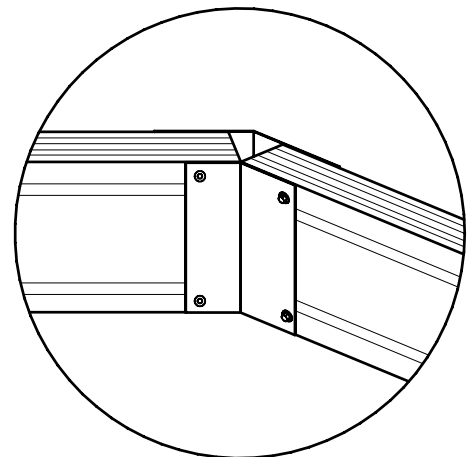
8/12–14x20 TEK SCREWS PER BRACKET

# BAY BRACKET – 135° (BB)

FOR JOINING PERIMETER BEARERS AT 135° CORNERS (BAY WINDOWS)



BB100  
BB150  
BB200  
BB250



8/12–14x20 TEK SCREWS PER BRACKET

## SPANTEC

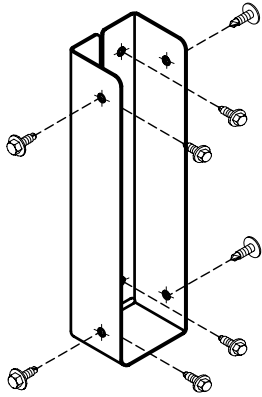
SPANTEC SYSTEMS PTY LTD.  
ABN 56 053 584 384

17 DRAPERS ROAD BRAEMAR, NSW, 2575  
P.O. BOX 81 MITTAGONG, NSW, 2575, AUSTRALIA  
PHONE: 02 4872 1611 FACSIMILE: 02 4872 1616  
[design@spantec.com.au](mailto:design@spantec.com.au)

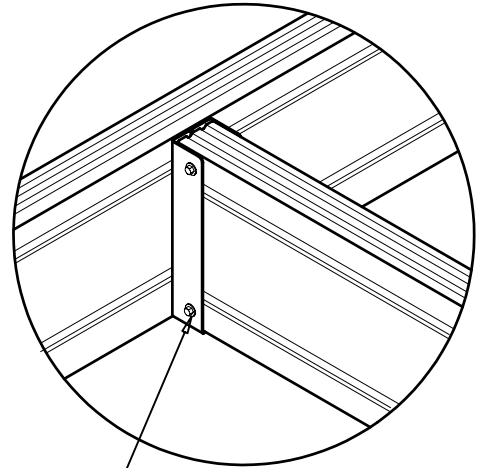
DATE DRAWN	DWG FILE	REFERENCE
APRIL 2006	BRACKET	BR12
SCALE	VIEW NAME	REVISION
NTS	BR12	C

# FRAMING BRACKET (FB)

FOR FIXING JOISTS TO BEARERS PERPENDICULAR TO EACH OTHER



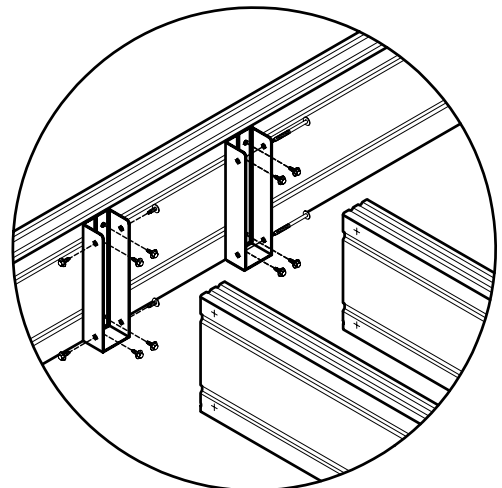
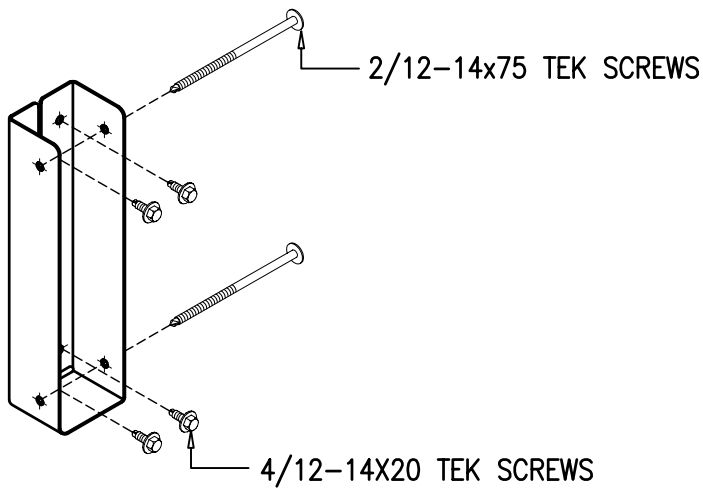
FB100  
FB150  
FB200  
FB250



8/12-14x75 TEK SCREWS

# FRAMING BRACKET (FB – SINGLE SIDE FIXING)

FOR FIXING JOISTS TO BEARERS WHEN AND ACCESS IS DIFFICULT



NOTE: 12-14x75 SCREWS ARE DRIVEN THROUGH FULL WIDTH OF BRACKET AND BEAM TO FIX FROM ONE SIDE ONLY

**SPANTEC**

SPANTEC SYSTEMS PTY LTD.  
ABN 56 053 584 384

17 DRAPERS ROAD BRAEMAR, NSW, 2575  
P.O. BOX 81 MITTAGONG, NSW, 2575, AUSTRALIA  
PHONE: 02 4872 1611 FACSIMILE: 02 4872 1616  
design@spantec.com.au

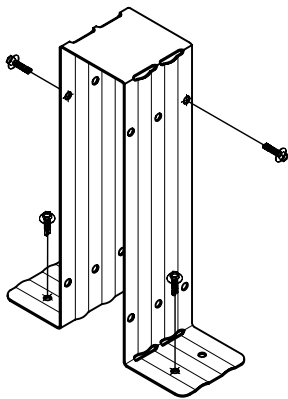
DATE DRAWN	DWG FILE	REFERENCE
APRIL 2006	BRACKET	BR19
SCALE	VIEW NAME	REVISION
NTS	BR19	C

# TOP HAT BRACKET (TH)

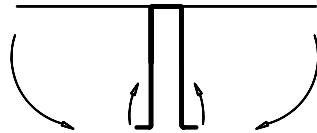
FOR FIXING OF JOIST TO WALL FRAMES UNDER

4/12-14x20  
TEK SCREWS  
PER BRACKET

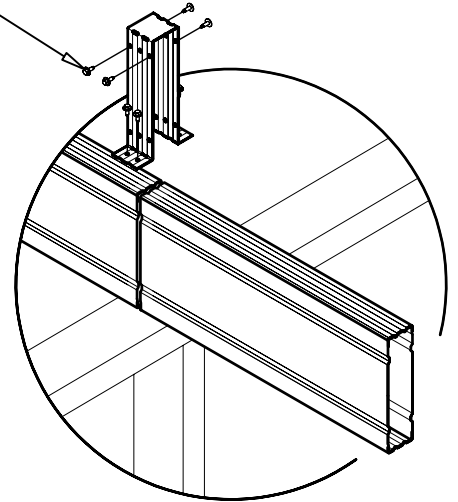
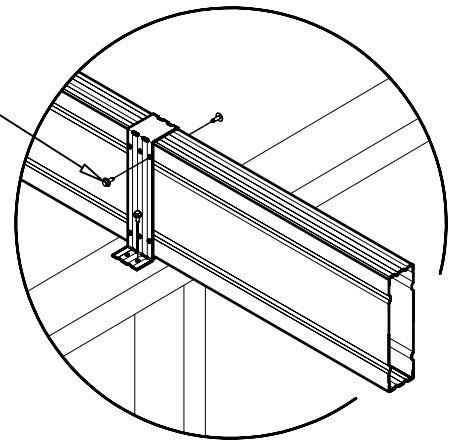
8/12-14x20  
TEK SCREWS  
PER BRACKET



TH100  
TH150  
TH200  
TH250



FOLD AS INDICATED



## JOINING JOISTS END TO END

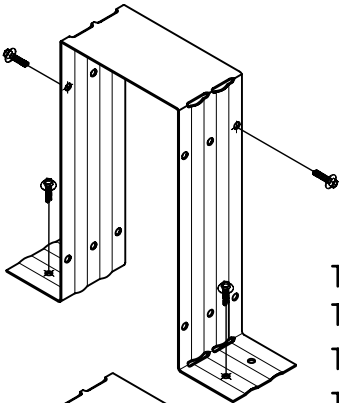
WHERE JOISTS ARE TO BE JOINED OVER BEARERS, FIX TOP HAT OVER JOIN LOCATION WITH 2/12-14x20 TEK SCREWS INTO BEARER TOP FLANGE EACH SIDE OF JOISTS AND MIN 2/12-14x20 TEK SCREWS INTO WEB OF EACH SIDE OF JOISTS

# TOP HAT DOUBLE BRACKET (THD)

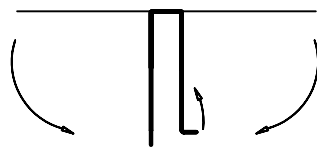
FOR FIXING DOUBLE JOISTS TO WALLN FRAMES UNDER

4/12-14x20  
TEK SCREWS  
PER BRACKET

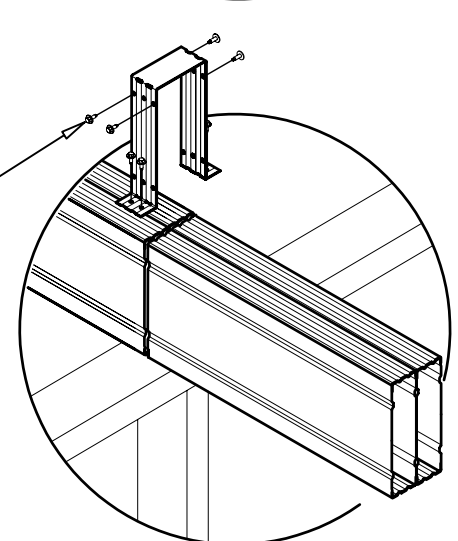
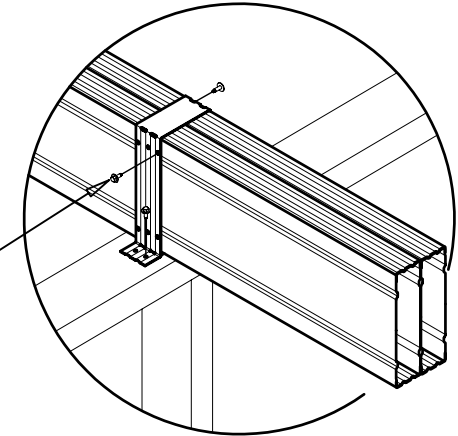
8/12-14x20  
TEK SCREWS  
PER BRACKET



THD100  
THD150  
THD200  
THD250



FOLD AS INDICATED



# SPANTEC

SPANTEC SYSTEMS PTY LTD.  
ABN 56 053 584 384

17 DRAPERS ROAD BRAEMAR, NSW, 2575  
P.O. BOX 81 MITTAGONG, NSW, 2575, AUSTRALIA  
PHONE: 02 4872 1611 FACSIMILE: 02 4872 1616  
design@spantec.com.au

DATE DRAWN  
APRIL 2006

DWG FILE  
BRACKET

REFERENCE  
BR25

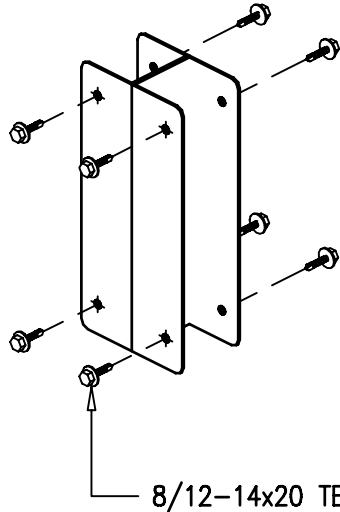
SCALE  
NTS

VIEW NAME  
BR25

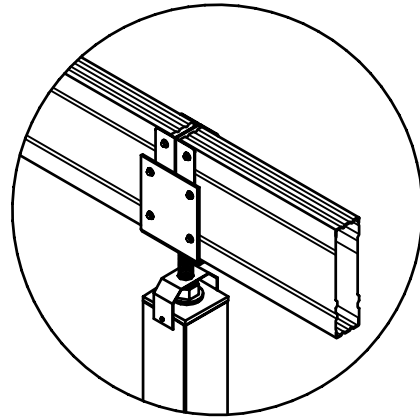
REVISION  
A

# JOINING BRACKET (JB)

CONNECTING BEARERS OF EQUIVALENT DEPTHS. BEARERS MUST BE JOINED OVER SUPPORTS.

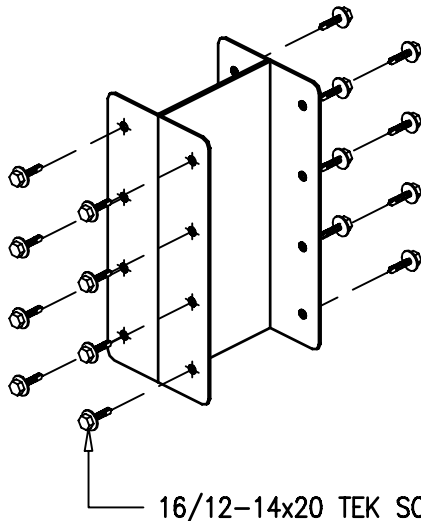


JB100  
JB150  
JB200  
JB250

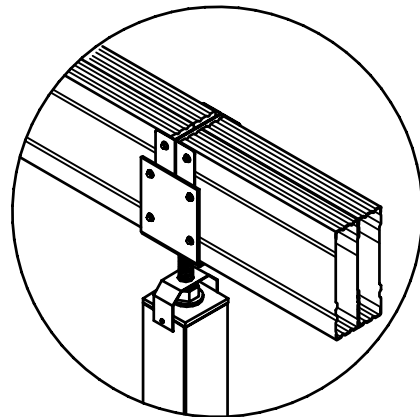


# JOINING BRACKET DOUBLE (JBD)

CONNECTING DOUBLE BEARERS OF EQUIVALENT DEPTHS. BEARERS MUST BE JOINED OVER SUPPORTS.



JBD100  
JBD150  
JBD200  
JBD250



# SPANTEC

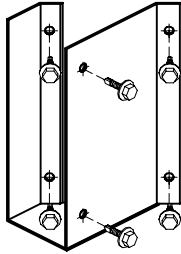
SPANTEC SYSTEMS PTY LTD.  
ABN 56 053 584 384

17 DRAPERS ROAD BRAEMAR, NSW, 2575  
P.O. BOX 81 MITTAGONG, NSW, 2575, AUSTRALIA  
PHONE: 02 4872 1611 FACSIMILE: 02 4872 1616  
[design@spantec.com.au](mailto:design@spantec.com.au)

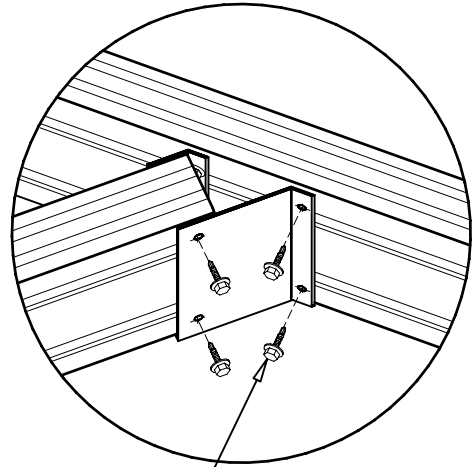
DATE DRAWN APRIL 2006	DWG FILE BRACKET	REFERENCE <b>BR08</b>
SCALE NTS	VIEW NAME BR08	REVISION <b>C</b>

# MITRE FRAMING BRACKET – LEFT HAND SIDE (MFBL)

FOR FIXING MEMBERS AT 45 DEGREES, SUCH AS JOIST TO BEARER



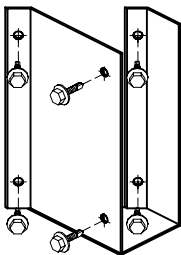
MFB100L  
MFB150L  
MFB200L  
MFB250L



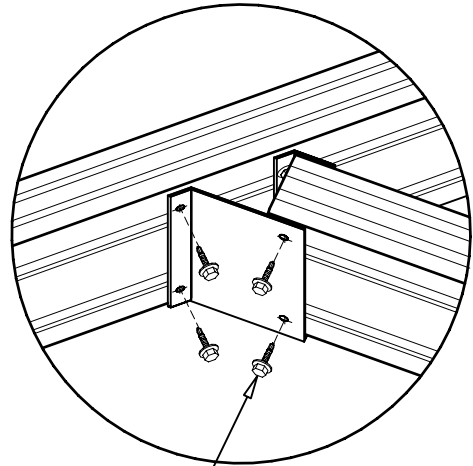
6/12-14x20 TEK SCREWS PER BRACKET

# MITRE FRAMING BRACKET – RIGHT HAND SIDE (MFBR)

FOR FIXING MEMBERS AT 45 DEGREES, SUCH AS JOIST TO BEARER



MFB100R  
MFB150R  
MFB200R  
MFB250R



6/12-14X20 TEK SCREWS PER BRACKET

**SPANTEC**

SPANTEC SYSTEMS PTY LTD.  
ABN 56 053 584 384

17 DRAPERS ROAD BRAEMAR, NSW, 2575  
P.O. BOX 81 MITTAGONG, NSW, 2575, AUSTRALIA  
PHONE: 02 4872 1611 FACSIMILE: 02 4872 1616  
design@spantec.com.au

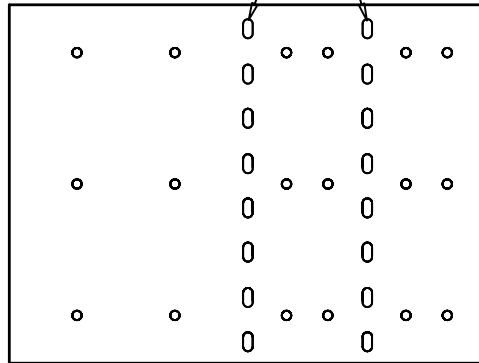
DATE DRAWN APRIL 2006	DWG FILE BRACKET	REFERENCE <b>BR03</b>
SCALE NTS	VIEW NAME BR03	REVISION <b>B</b>



# ADJUSTABLE MITRE PLATE (AMP) – MULTI PURPOSE BRACKET

FOR FIXING JOISTS TO BEARERS WHERE CONNECTION ANGLE IS NOT 45° OR 90°

PERFORATION LINES

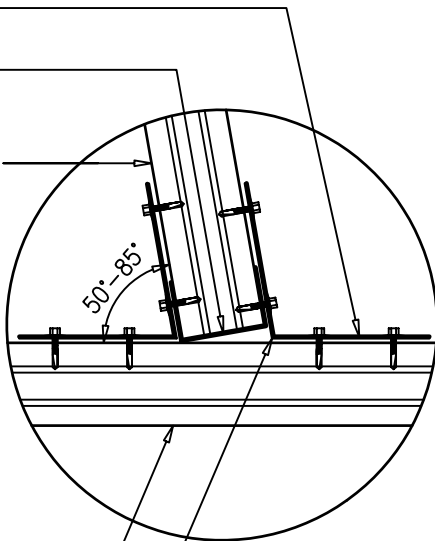


AMP100  
AMP150  
AMP200  
AMP250

ADJUSTABLE MITRE PLATE  
ONE EACH SIDE OF JOIST  
8/12-14x20 TEK SCREWS  
PER BRACKET

END CAP

BOXSPAN JOIST



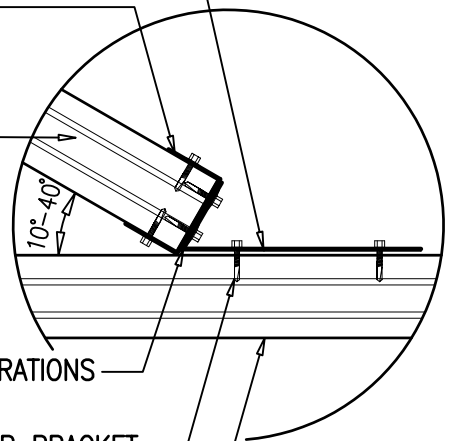
BOXSPAN BEARER

BEND AT PERFORATIONS

ADJUSTABLE MITRE PLATE

END CAP

BOXSPAN JOIST



BEND AT PERFORATIONS

8/12-14x20

TEK SCREWS PER BRACKET

BOXSPAN BEARER

## SPANTEC

SPANTEC SYSTEMS PTY LTD.  
ABN 56 053 584 384

17 DRAPERS ROAD BRAEMAR, NSW, 2575  
P.O. BOX 81 MITTAGONG, NSW, 2575, AUSTRALIA  
PHONE: 02 4872 1611 FACSIMILE: 02 4872 1616  
[design@spantec.com.au](mailto:design@spantec.com.au)

DATE DRAWN

APRIL 2006

DWG FILE

BRACKET

REFERENCE

BR05

SCALE

NTS

VIEW NAME

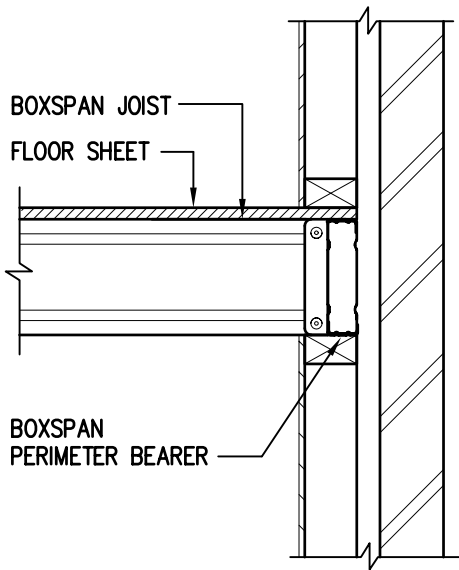
BR05

REVISION

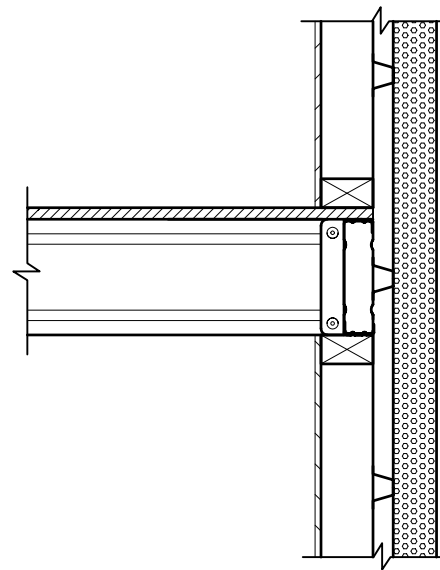
B

# PERIMETER CONSTRUCTION DETAILS

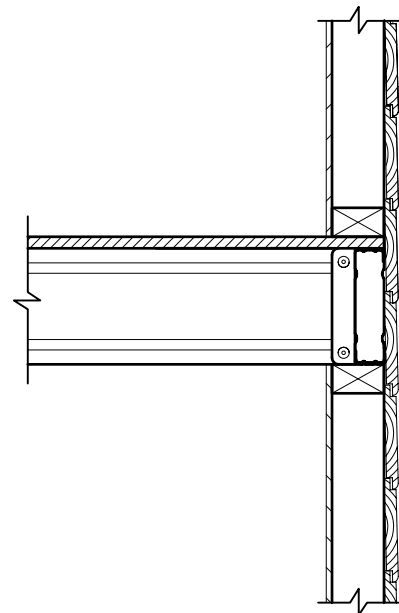
## FOR UPPER FLOOR MONOPLANE SYSTEMS



**BRICK VENEER**



**HEBEL FRAME**



**CLAD FRAME**

**SPANTEC**

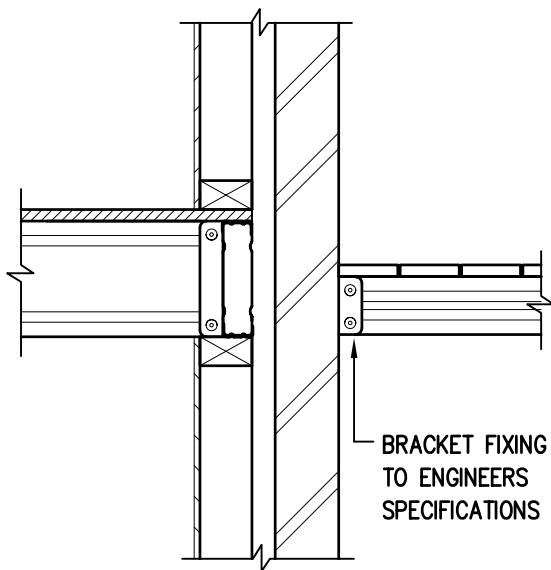
SPANTEC SYSTEMS PTY LTD.  
ABN 56 053 584 384

17 DRAPERS ROAD BRAEMAR, NSW, 2575  
P.O. BOX 81 MITTAGONG, NSW, 2575, AUSTRALIA  
PHONE: 02 4872 1611 FACSIMILE: 02 4872 1616  
[design@spantec.com.au](mailto:design@spantec.com.au)

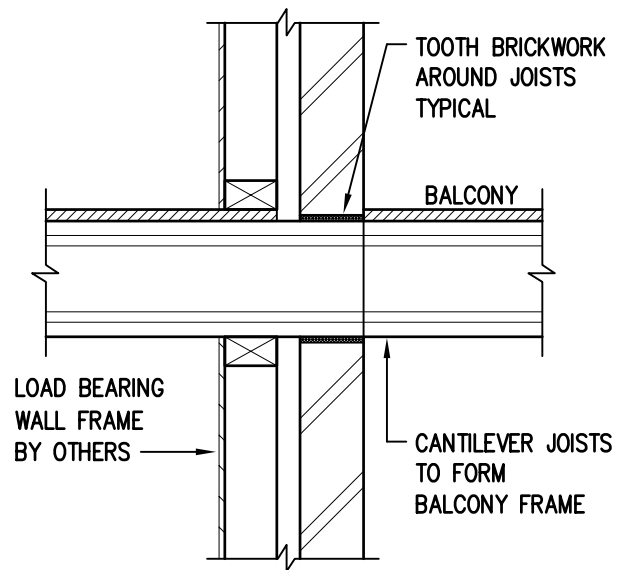
DATE DRAWN	DWG FILE	REFERENCE
APRIL 2006	INSTALL_DETAILS	CDFW03
SCALE	VIEW NAME	REVISION
NTS	CONST_DETAILS_3	A

# EXTERNAL STEP CONSTRUCTION DETAILS

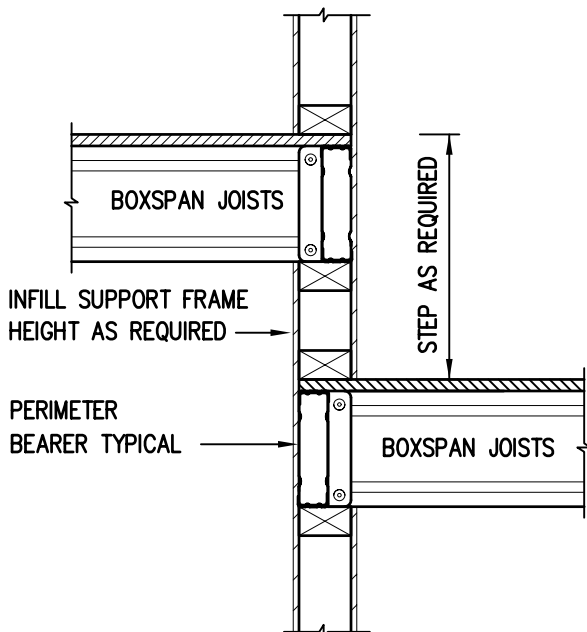
## FOR UPPER FLOOR MONOPLANE SYSTEMS



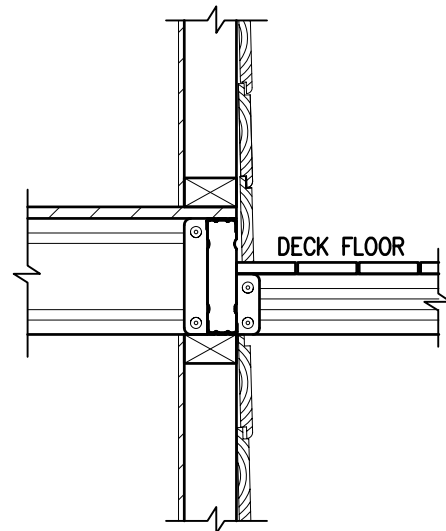
**BRICK VENEER  
(EXTERNAL STEPDOWN)**



**BRICK VENEER  
(CANTILEVER)**



**CLAD FRAME  
(INTERNAL STEPDOWN)**



**CLAD FRAME  
(STEPDOWN)**

**SPANTEC**

SPANTEC SYSTEMS PTY LTD.  
ABN 56 053 584 384

17 DRAPERS ROAD BRAEMAR, NSW, 2575  
P.O. BOX 81 MITTAGONG, NSW, 2575, AUSTRALIA  
PHONE: 02 4872 1611 FACSIMILE: 02 4872 1616  
design@spantec.com.au

DATE DRAWN	DWG FILE	REFERENCE
APRIL 2006	INSTALL_DETAILS	CDFW04
SCALE	VIEW NAME	REVISION
NTS	CONST_DETAILS_4	A